

**Output Connections
Using Octal Socket**

- 4 ohms - pins 1 and 2
- 8 ohms - pins 1 and 3
- 16 ohms - pins 1 and 4
- 500/600 ohms - pins 7 and 8
(pin 6 is CT and ground)
- 70.7 Volts - pins 5 and 6
(pin 6 is ground)

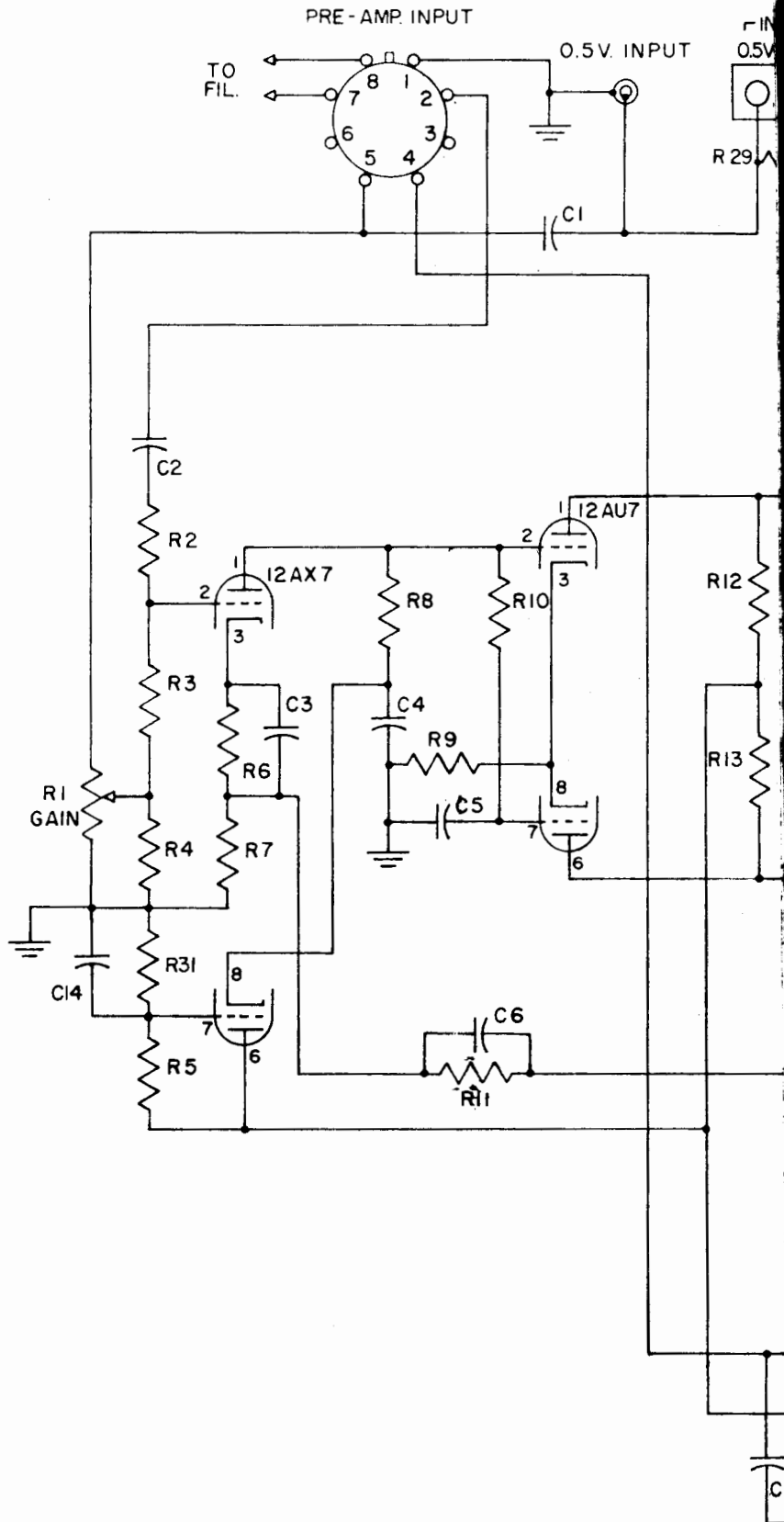
**Pre-amplifier Input
Socket Connections**

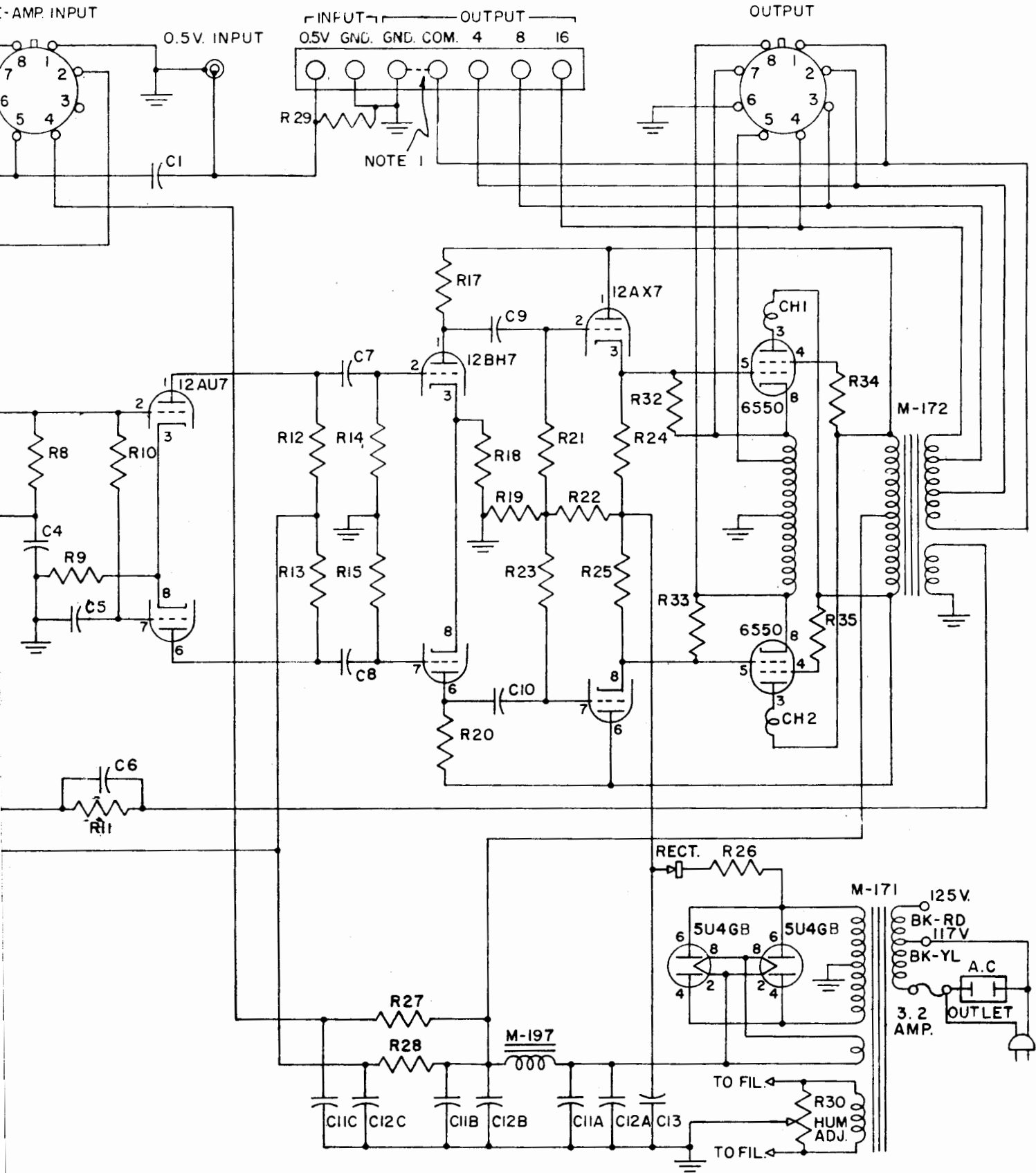
- Pin 1 - ground
- Pin 2 - pre-amp input (2.5V)
- Pin 3 - not used
- Pin 4 - +360V at 3.5 ma.
- Pin 5 - not used
- Pin 6 - not used
- Pins 7 and 8 - 6.3V at 1 amp.

Note 1 - This jumper strap may be removed if ungrounded low impedance outputs are desired

- R1 500K Pot. (Gain Adj.)
- R2 100K
- R3 27K
- R4 3.3M
- R5 560K, 5%
- R6 3.3K
- R7 68 ohms, 5%
- R8 100K
- R9 18K, 1W
- R10 2.2M
- R11 1.3K, 5%
- R12 27K, 5%
- R13 30K, 5%
- R14 220K
- R15 220K
- R16 not used
- R17 12K*, 2W
- R18 1.2K
- R19 120K, 5%
- R20 12K*, 2W
- R21 1M
- R22 820K
- R23 1M
- R24 220K
- R25 220K
- R26 1.8K
- R27 10K, 10W
- R28 10K, 2W
- R29 180K
- R30 250 ohm Pot, (hum adj.)
- R31 270K, 5%
- R32 220K
- R33 220K
- R34 220, 1W
- R35 220, 1W

- CH1 Plate Choke
- CH2 Plate Choke
- C1 .1mf, 400V
- C2 .47mf, 200V
- C3 100mf, 12V
- C4 8mf, 250V
- C5 .22mf, 400V
- C6 470mf, 500V
- C7 .047mf, 600V
- C8 .047mf, 600V
- C9 .25mf, 600V
- C10 .25mf, 600V
- C11A 35mf, 500V
- C11B 80mf, 450V
- C11C 15mf, 450V
- C12A 35mf, 500V
- C12B 80mf, 450V
- C12C 15mf, 450V
- C13 10mf, 450V
- C14 .47mf, 200V





SERIAL NO. 4496 AND UP

REVISED
5-8-58 R.R.

OLD DWG. NO. MC-60-3

McINTOSH LABORATORY, INC.
2 Chambers Street, Binghamton, N.Y.

SCALE	APPROVED BY:	DRAWN BY
DATE 6-30-55	SC	4 20-56

MODEL MC-60, TYPE A-121 POWER AMPLIFIER

DRAWING NUMBER
SC-114-117

VOLTAGE AND RESISTANCE CHART

Tube	Pin No.	DC Volts No Signal	DC Volts at 60W out	AC Volts at 60W out	Resistance in Ohms Unit Off
12AX7	1	82	81	1.5	Inf.
	2	0	0	.45	100K to 560K
	3	1.1	1.1	.45	3.3K
	6	360	310	0	10K*
	7	108	108	0	1.2M*
	8	111	110	0	Inf.
12AU7	1	284	240	8.4	40K*
	2	82	81	1.5	Inf.
	3	92	88	.5	18K
	6	284	240	8.4	38K*
	7	62 Approx.	67 Approx.	0	Inf.
	8	92	88	.5	18K
12BH7	1	340	285	148	12K*
	2	0	0	11.6	210K
	3	16.5	15	.52	1.2K
	6	340	285	148	12K*
	7	0	0	11.2	210K
	8	16.5	15	.52	1.2K
12AX7	1	430	365	106	45*
	2	-45	-44	148	1M
	3	-45	-45	148	140K
	6	430	365	106	45*
	7	-45	-44	148	1M
	8	-45	-45	148	140K
6550 (Both Tubes)	3	430	365	106	45*
	4	430	360	110	2500*
	5	-45	-45	148	140K
	8	.8	-2.5	110	6
5U4GA (Both Tubes)	2	435	380	9.4	0*
	4	0	0	335	14
	6	0	0	335	15
	8	435	380	6.4	0*
Pre-Amp Input Socket	4	425	365	0	10K*
	5	0	0	.36	320K